

Qt 300™/Qt 600™ Rack Mount Bracket Installation Instructions

Step 1

Remove the Qt 300/Qt 600 and power supply bracket from wall mount bracket. See Figure 2.

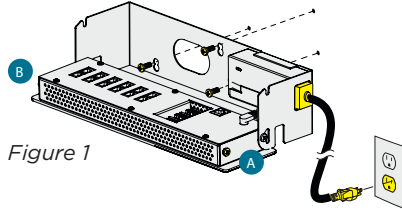


Figure 1

Step 2

Reassemble power supply to right rack mount bracket using 6:32 black screws. See Figure 3.

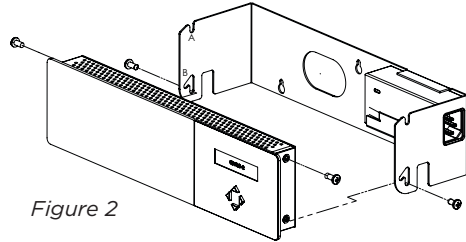


Figure 2

Step 3

Fasten left and right rack mount brackets to the Qt 300/Qt 600. On the Qt 300, the longer side of the rack mount should be visible from the front. On the Qt 600, the shorter side of the rack mount should be visible.

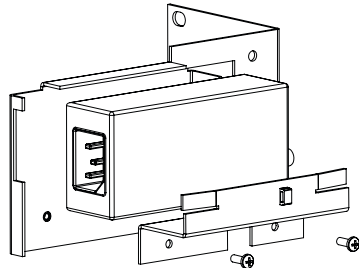


Figure 3

Step 4

Mount the Qt 300/Qt 600 to the 19" cabinet rail using 10:32 screws as shown. See Figure 4.

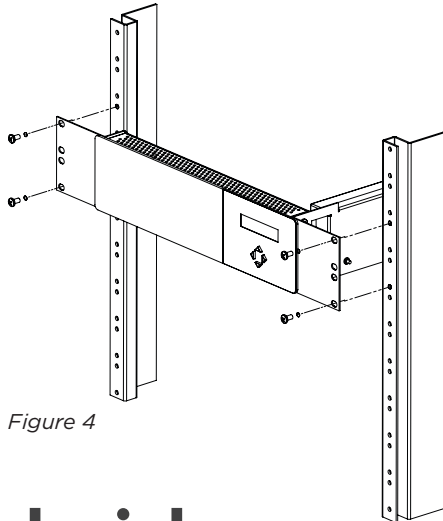


Figure 4