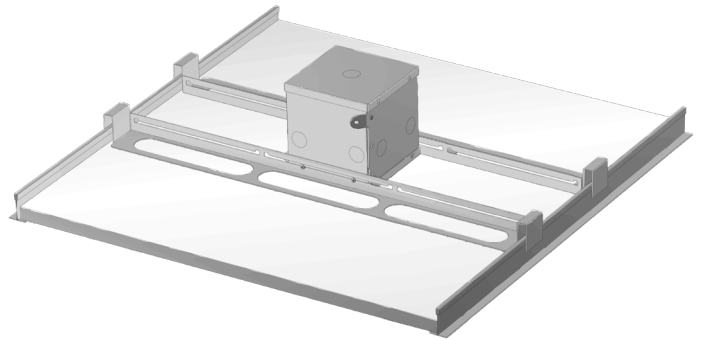
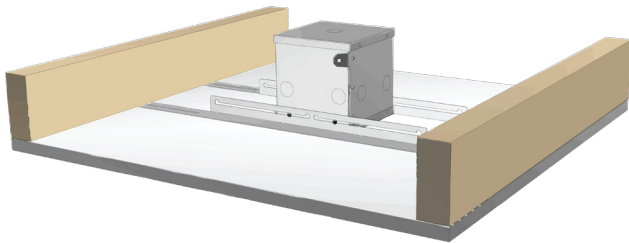


Conduit Ceiling Mount Installation Guide



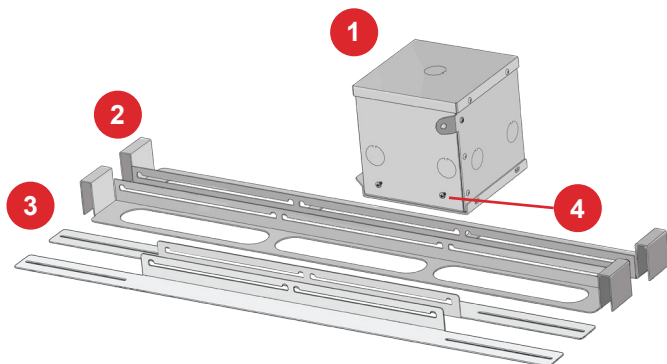
PRODUCT DESCRIPTION

The Conduit Ceiling Mount is specifically design for installing the E-A-W/B-4 and E-P-W/B-4 family of emitters in a plenum space where local building code/regulations require additional safety requirements.

Each Conduit Ceiling Mount kit comes with two sets of rails that will accommodate a ceiling tile or drywall/joist installation.

The Conduit Ceiling Mount kit contains the following:

1. Emitter Mounting Box (x4)
2. Tile Bridge Rails - Ceiling Tile (x8)
3. Tile Bridge Rails - Drywall/Joists (x8)
4. Pre-installed Rail Mounting Hardware (x16)



PRE-INSTALLATION AND WIRING

The lower cover of the conduit box must be removed to accommodate termination of emitter wiring inside the box. Installers must also determine which knock-out plug to remove in order to install conduit.

1. Remove the cover by pulling the flange shown in Figure 1.
2. Remove the desired knock-out plug with an appropriate tool.
3. Install wiring and conduit as required.
4. When wiring and conduit are installed, install the lower cover back on to the conduit box as shown in Figure 2.



Figure 1.

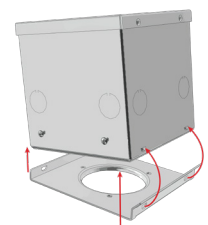


Figure 2.

NOTE: The conduit box has a seismic attach point to accommodate installation security if required as shown in Figure 3.

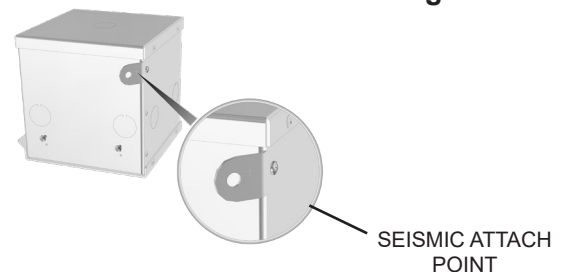


Figure 3.



DRYWALL/JOIST INSTALLATION

For the drywall/joist installation, do the steps that follow:

1. Install the rails onto the pre-installed screws on the conduit box. Keyed slots allow tool-less installation. See numbered steps in Figure 4.

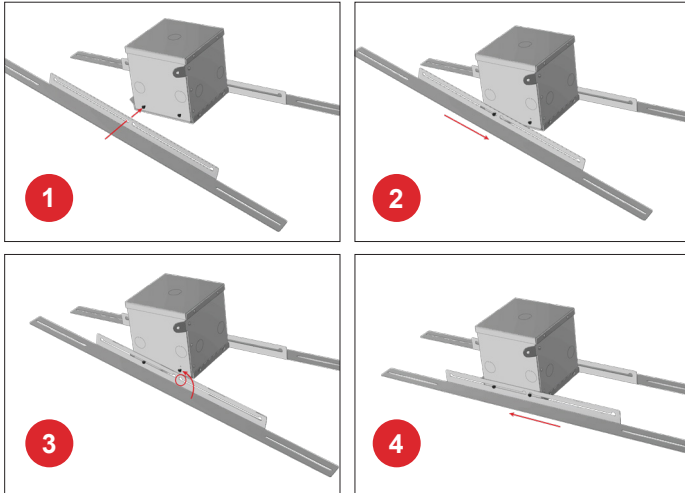


Figure 4.

2. Locate the installation points on the joists with the box attached to the rails to ensure spacing between the rails is correct.

NOTE: The rails are slotted to accommodate adjustments upon installation if required.

3. Once the installation points are determined, attach the rails to the ceiling joists (hardware for this attachment is not provided.) See Figure 5.
4. The screws that attach the rails to the conduit box may be tightened once the final location is determined.

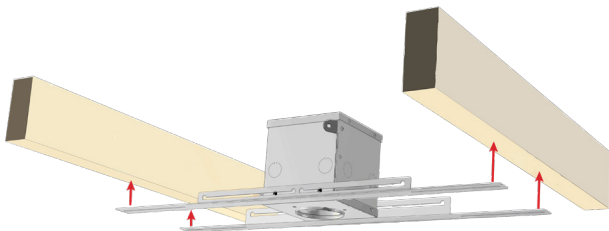


Figure 5.

5. Install the drywall over the conduit as shown in Figure 6.

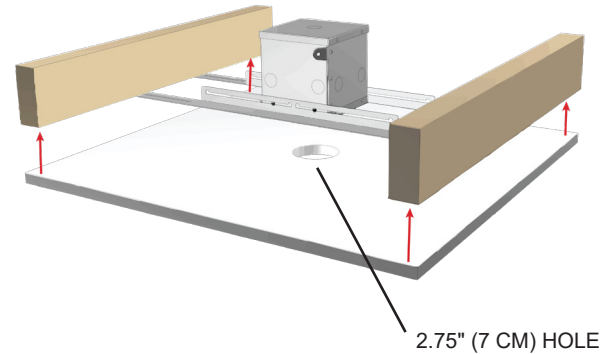


Figure 6.

6. Cut the drywall with an appropriate routing tool using the inside diameter of the conduit box opening as a guide.

NOTE: the cutout in the drywall should be 2.75 inch (7 cm) to accommodate the conduit and emitter.

7. Attach the wiring and install the emitter in the conduit mount through the drywall as shown in Figure 7.

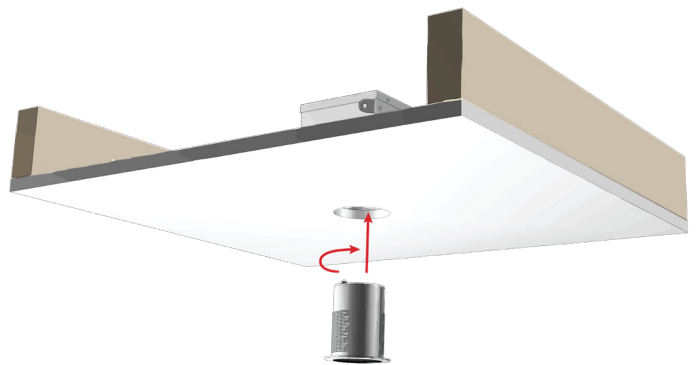


Figure 7.

CEILING TILE INSTALLATION

For the ceiling tile installation, do the steps that follow:

1. Remove the ceiling tile(s) as required.

NOTE: it is at the discretion of the installer to remove adjacent tiles as needed to efficiently and safely perform this installation.

2. Cut a 2.75 inch (7 cm) diameter hole in the tile where the conduit is to be mounted. See Figure 8.

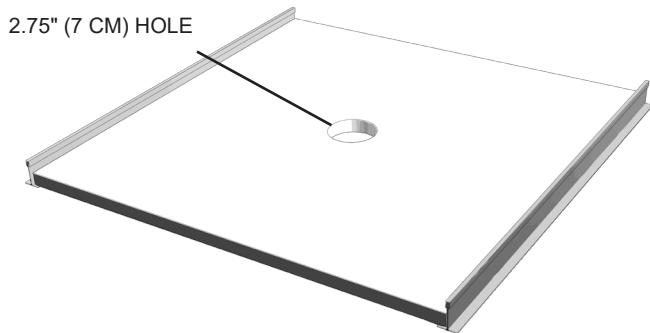


Figure 8.

3. Remove any rough material or other debris from the cutout and in and around the hole.
4. If the ceiling tile was removed, place it back over the ceiling T-rails.
5. Install the rails onto the pre-installed screws on the conduit box. Keyed slots allow tool-less installation. See Figure 9.

NOTE: The rails are slotted to accommodate adjustments upon installation if required.

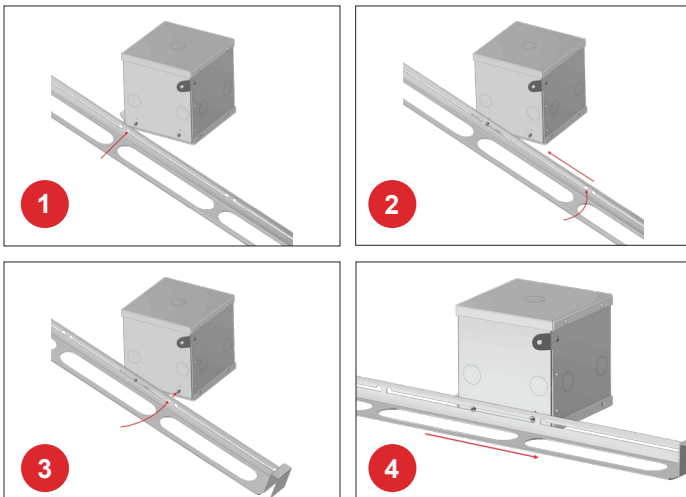


Figure 9.

6. Lower the conduit assembly over the previously-cut hole in the ceiling tile as shown in Figure 10.

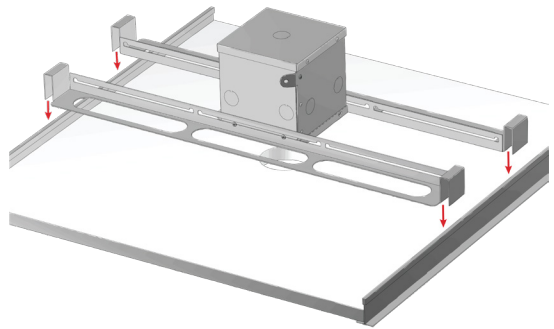


Figure 10.

7. Align the conduit box with the ceiling cutout. The screws that attach the rails to the box may be tightened as needed. See Figure 11.

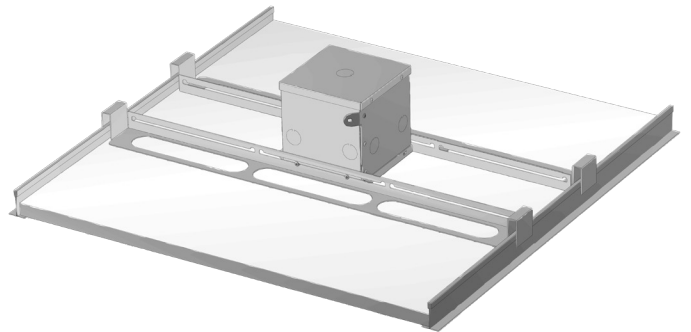


Figure 11.

8. Attach the wiring and install the emitter in the conduit mount through the ceiling tile as shown in Figure 12.

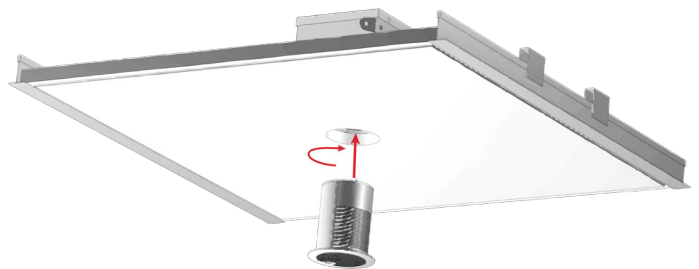


Figure 12.

IMPORTANT SAFETY / COMPLIANCE INFORMATION

- Equipment is grounded by connection to metal raceway or metallic cable sheaths.
- Investigation of the enclosure covers the enclosure only.
- Type 1 enclosure for use in plenums.

